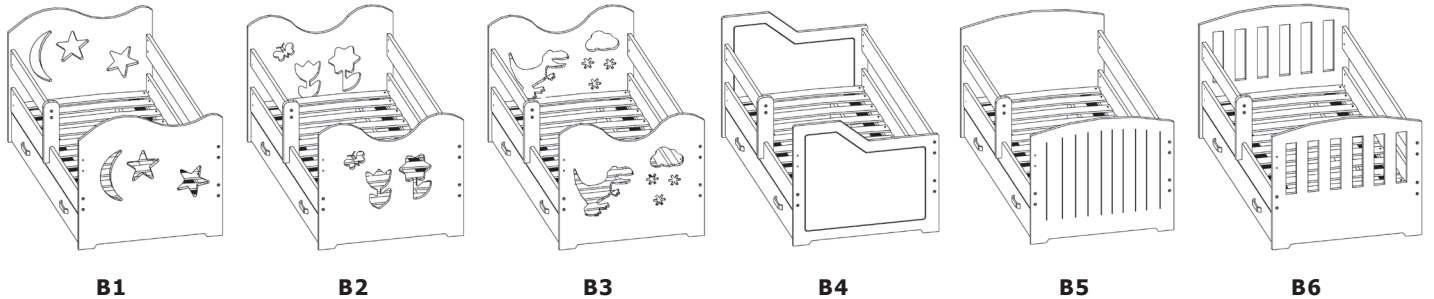
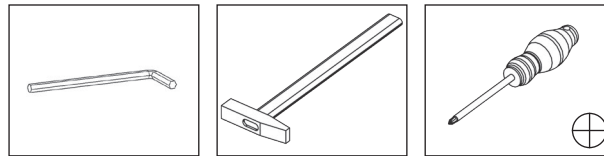
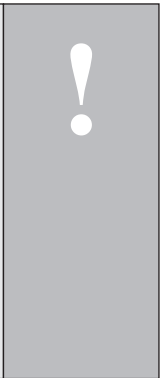


Tools required



- Do not throw away packaging materials until assembly is complete.
- Assemble this item on a soft surface, such as cardboard, towel, carpet. It should protect finish.
- Keep plastic packages and other parts **away from children and infants.**
- All connections should be tight.
- Until starting assembling please read whole instruction.
- If You notice that the package is damaged don't assembly.

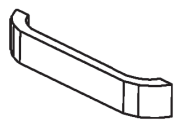




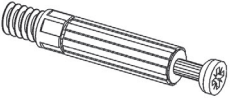
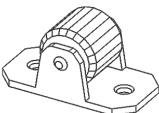



Parts in the packaging


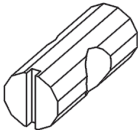

- Before starting work please make sure You have all the parts.



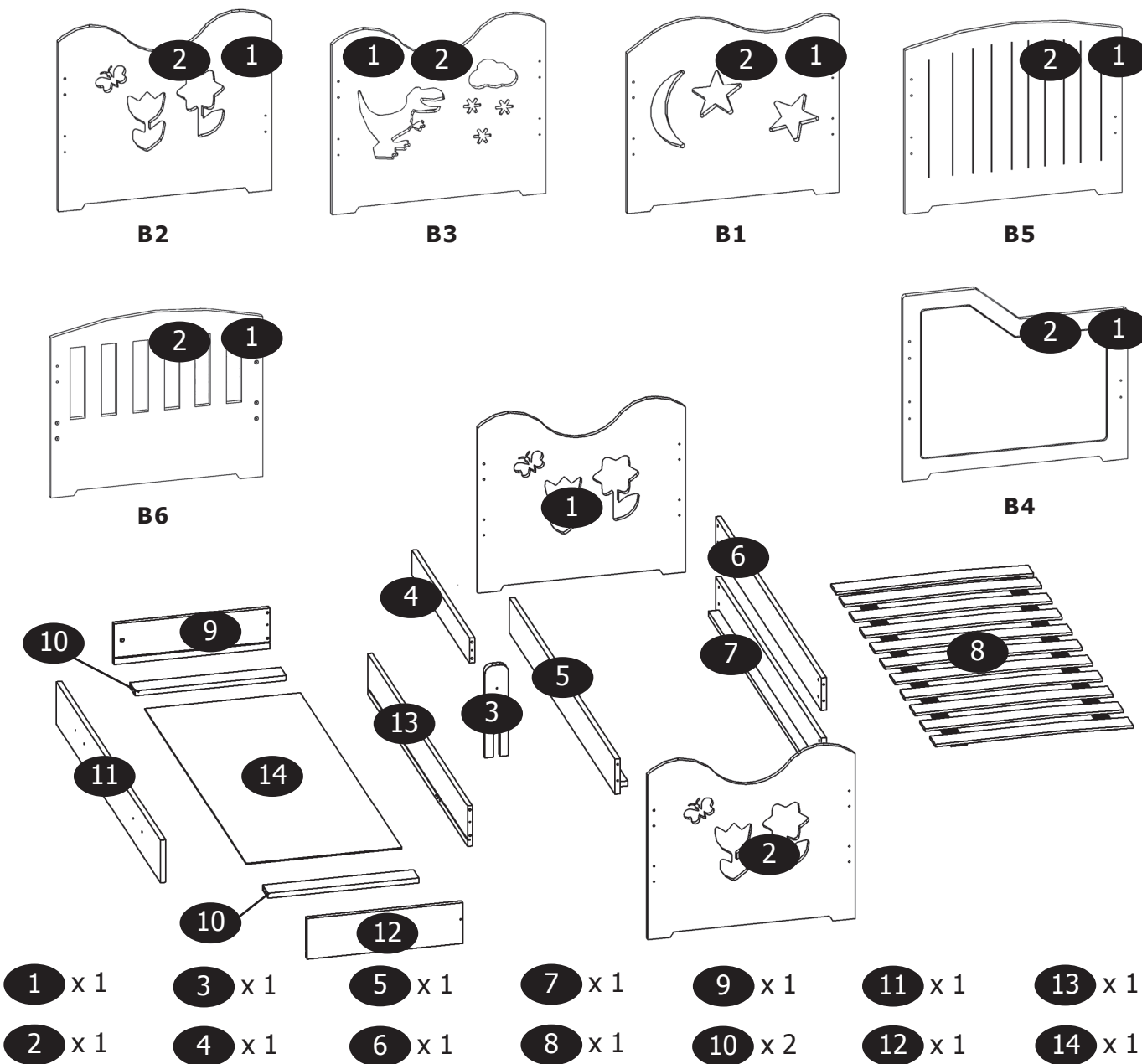
Parts for the drawer

<p>U1</p>  <p>2x</p>	<p>E1</p>  <p>7,8x35 mm 16x</p>	<p>F3</p>  <p>4x</p>
<p>S1F</p>  <p>Ø3,5x16 8x</p>	<p>P2</p>  <p>4x</p>	<p>N2</p>  <p>4x</p>
<p>D14</p>  <p>4x</p>	<p>M3</p>  <p>4x</p>	

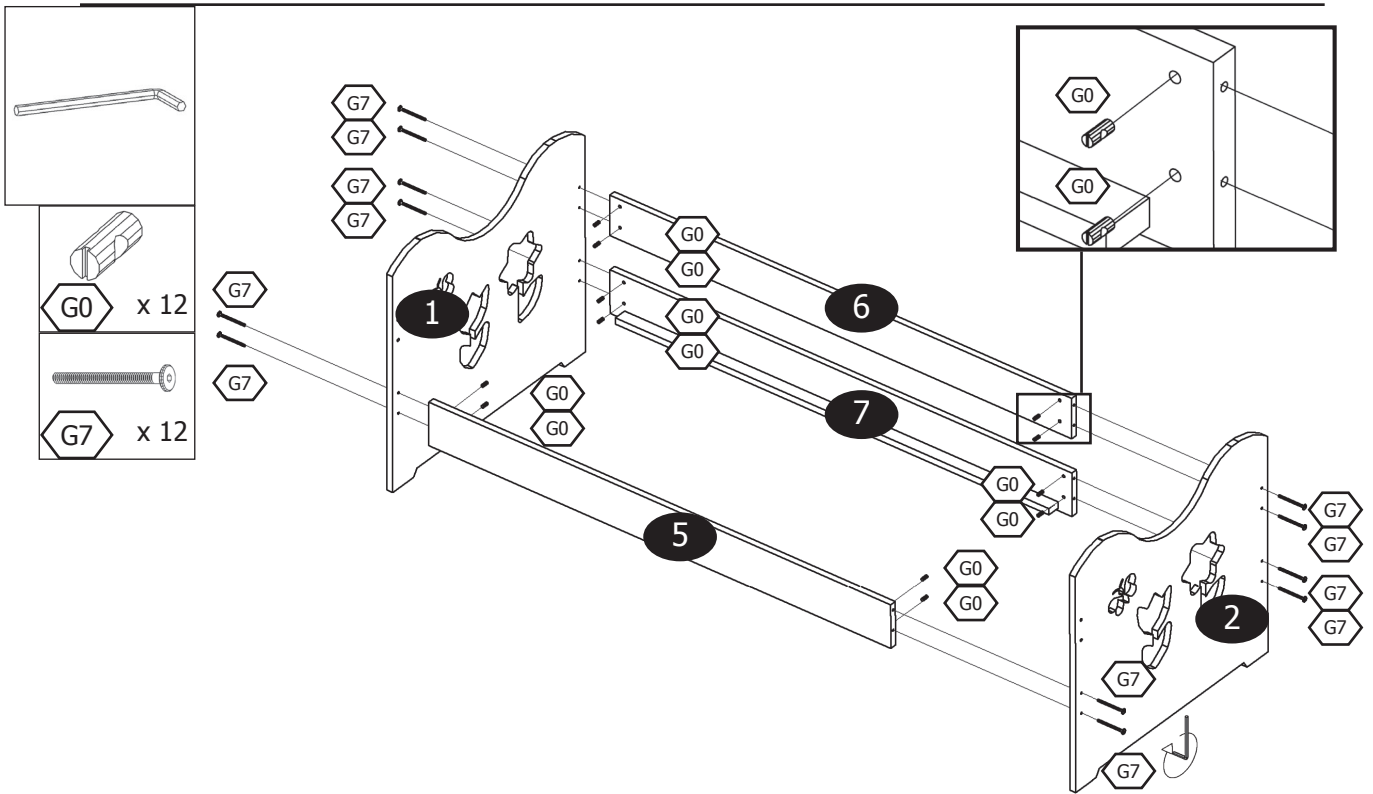
Parts for Miki

 <p>G7</p> <p>16x</p>	 <p>G0</p> <p>16x</p>	 <p>S1F</p> <p>Ø3,5x16 22x</p>
---	---	--

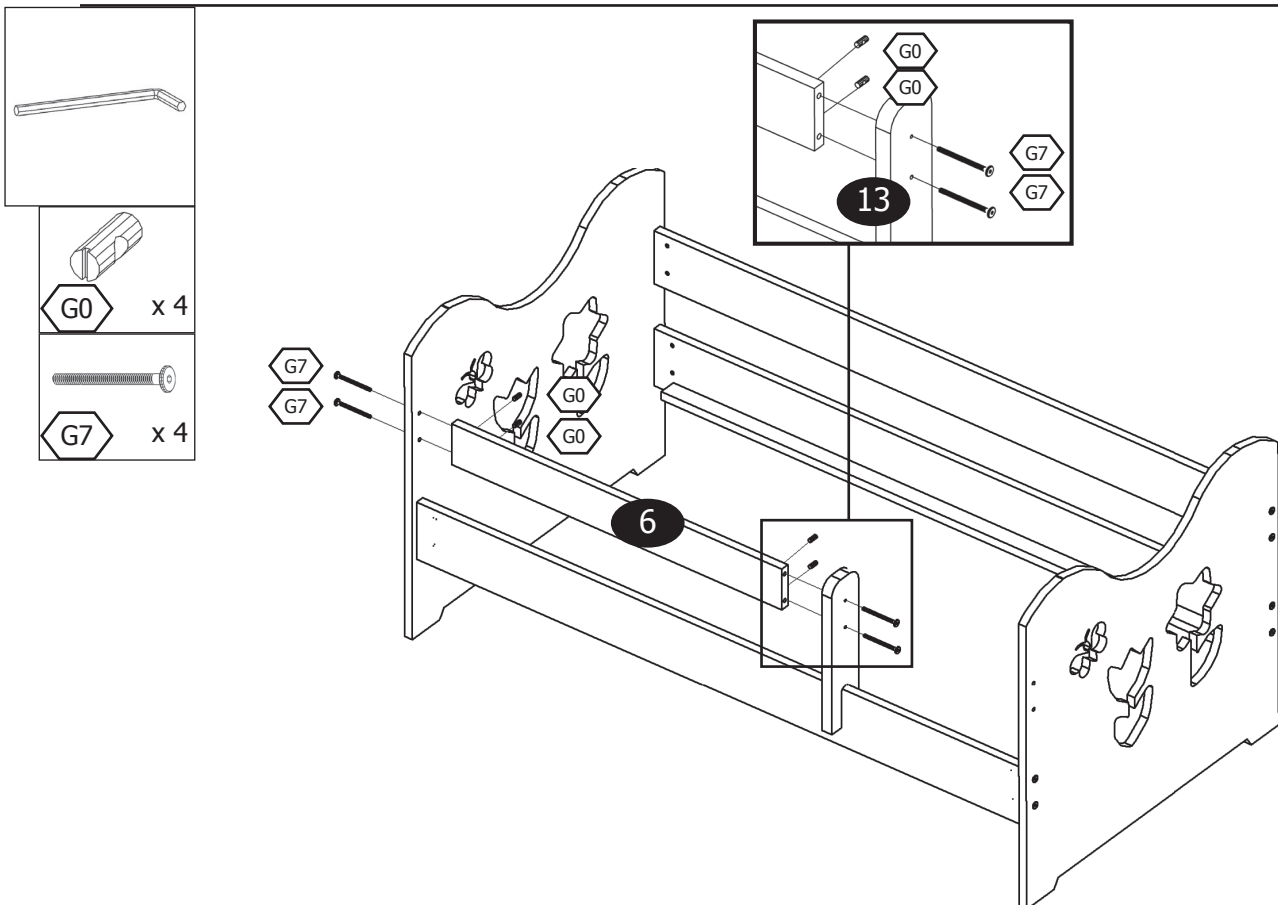
Other elements



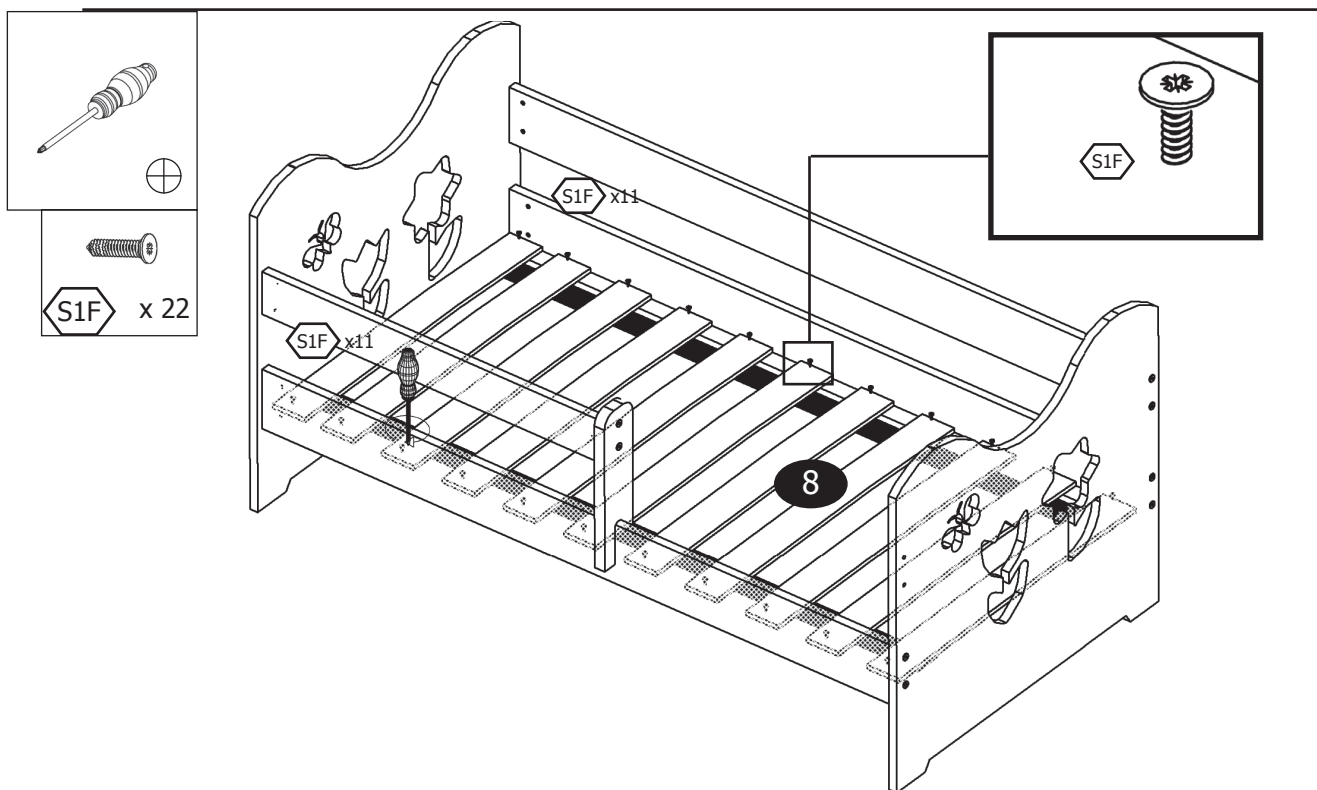
1



2

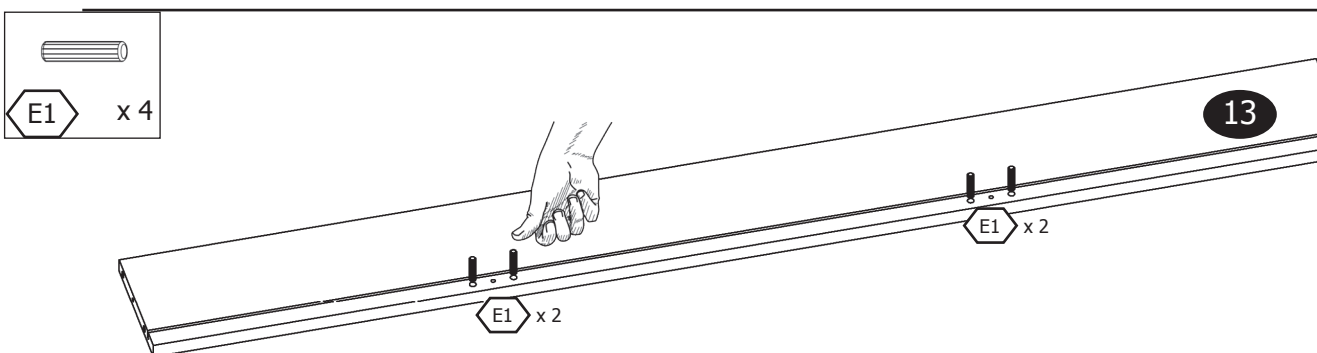
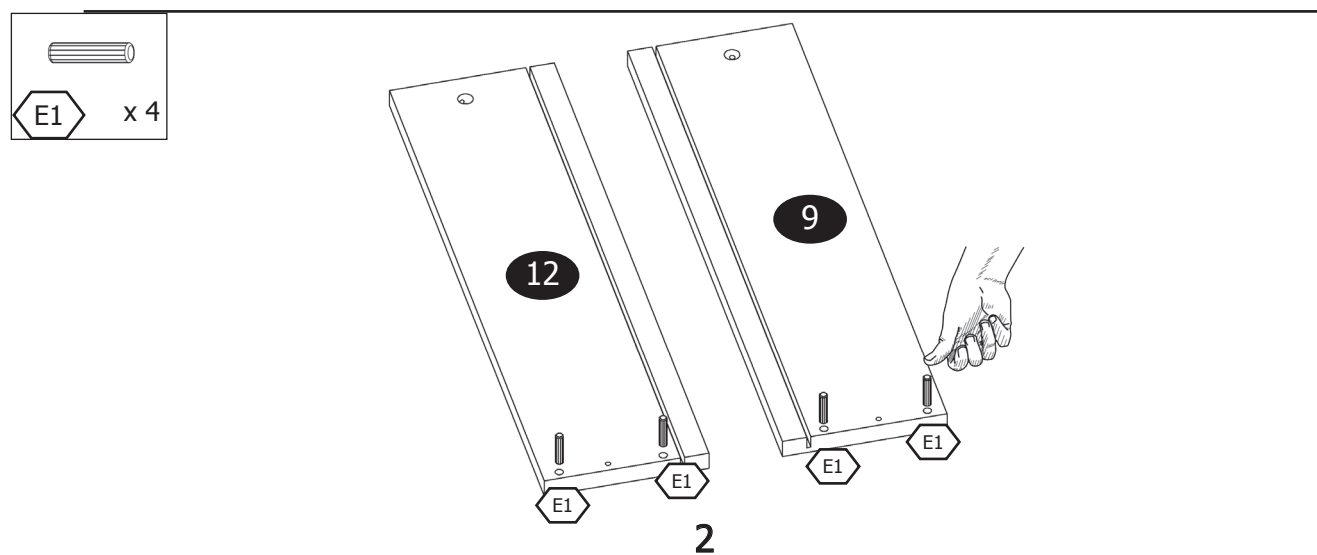


3

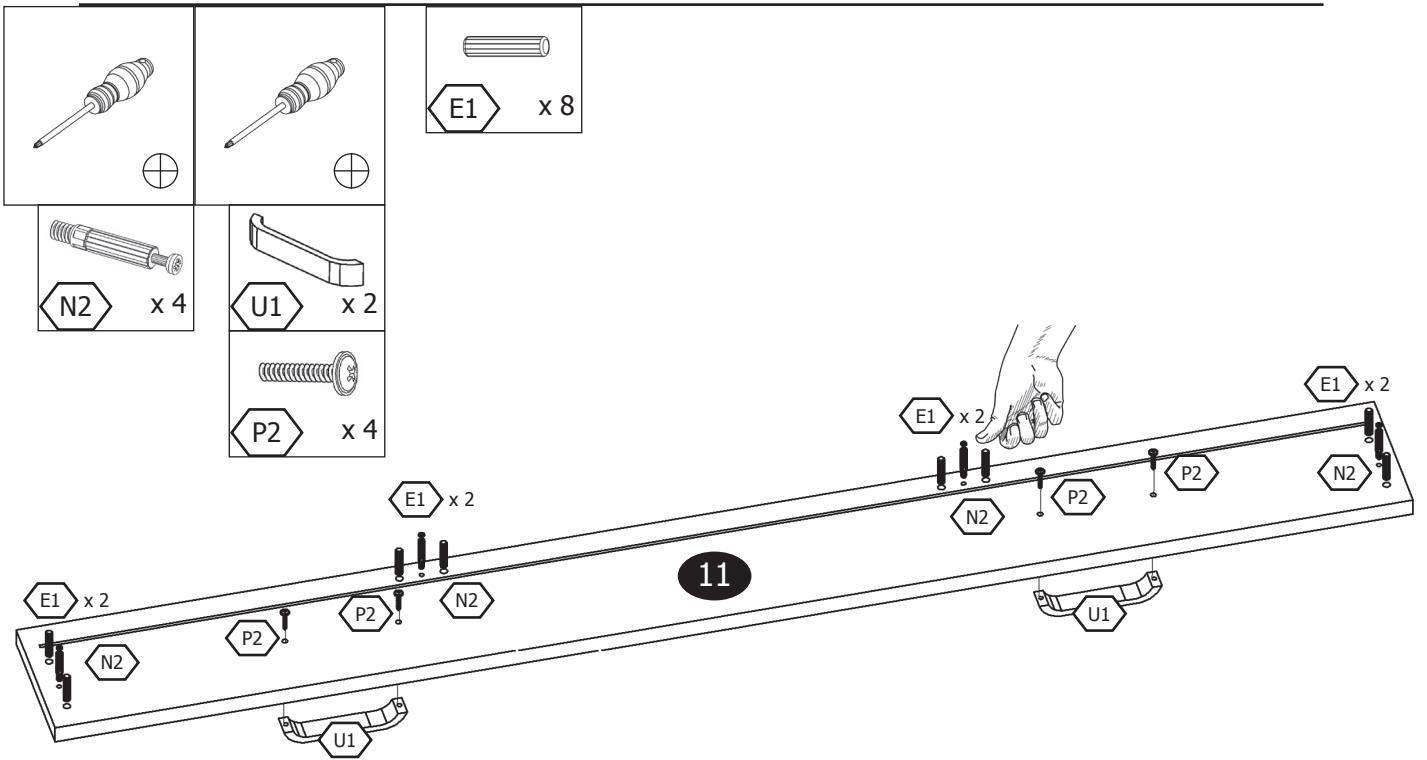


Assembly instructions drawer

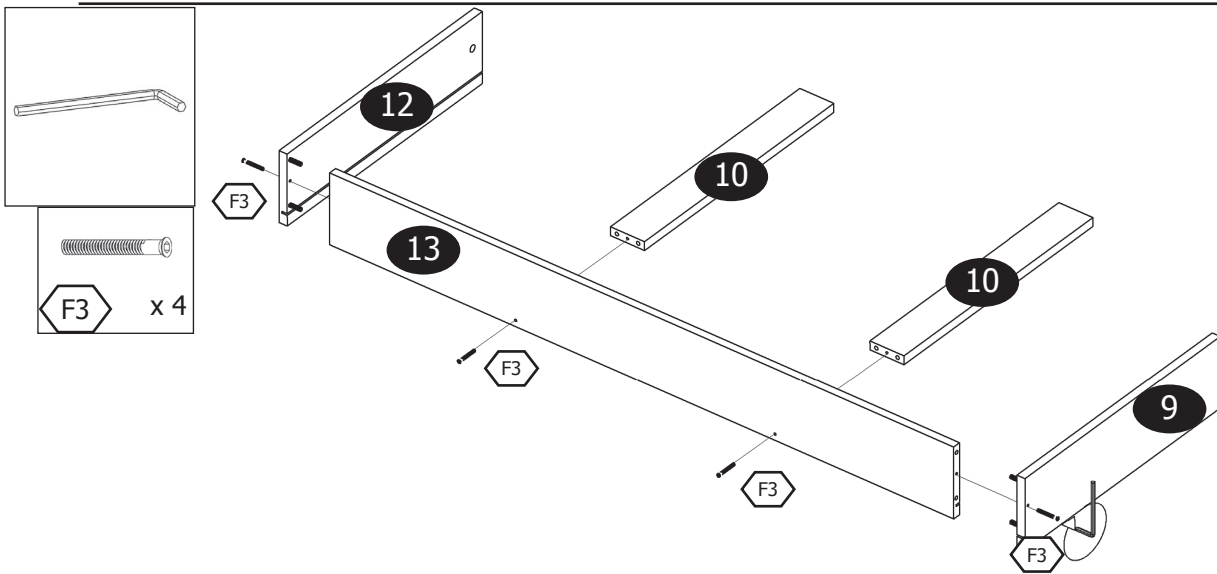
1



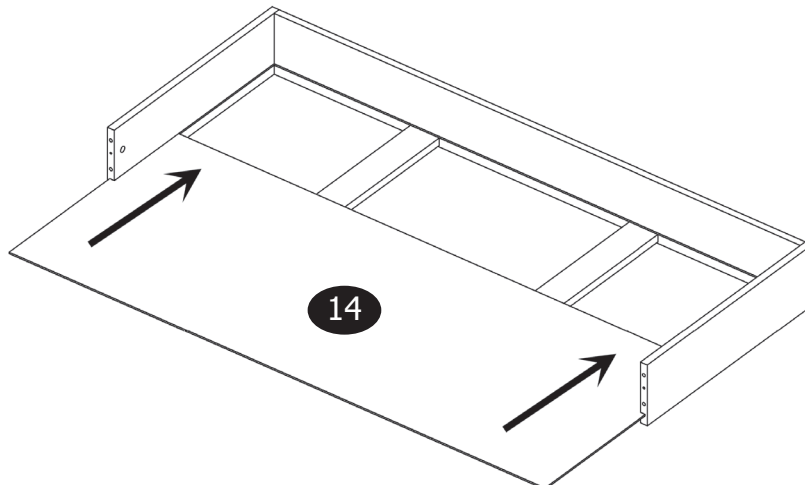
3



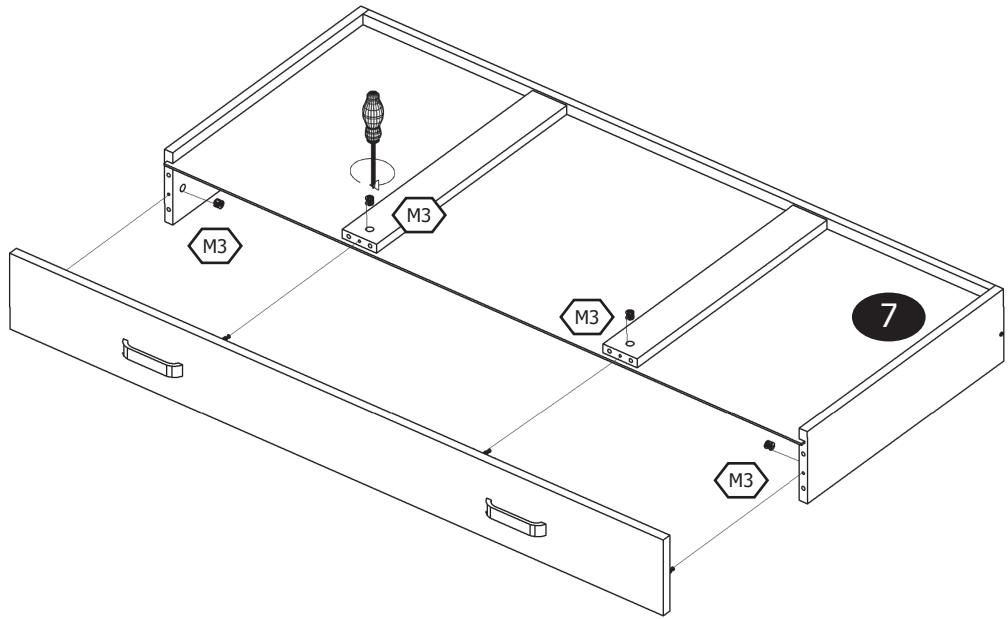
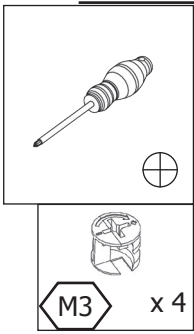
4



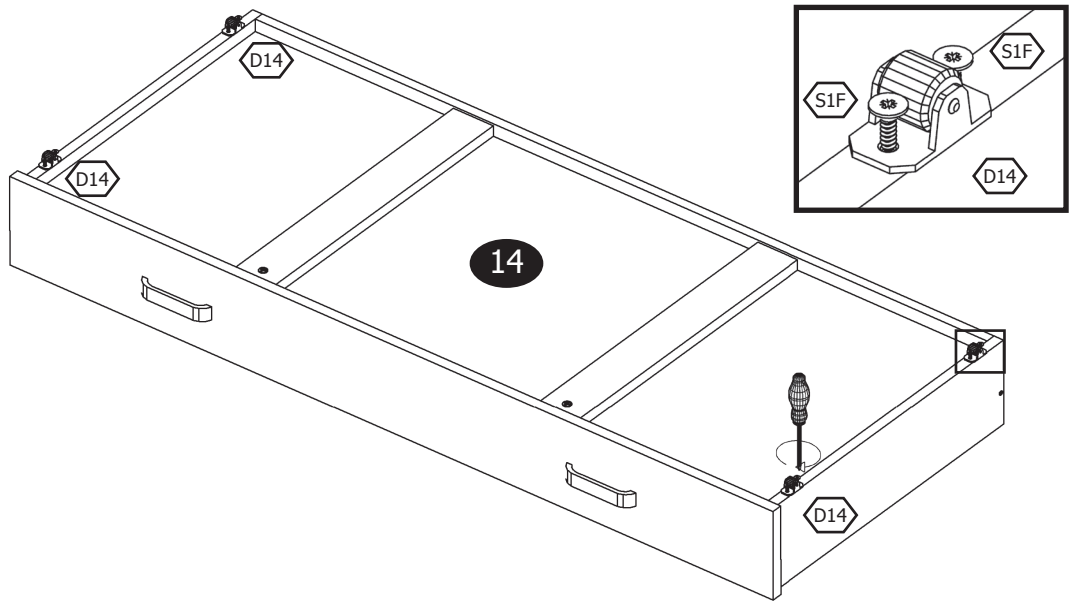
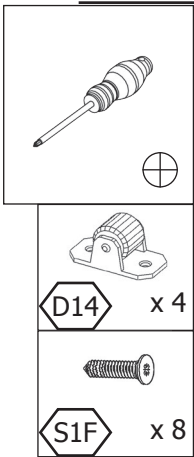
5



6



7



8

