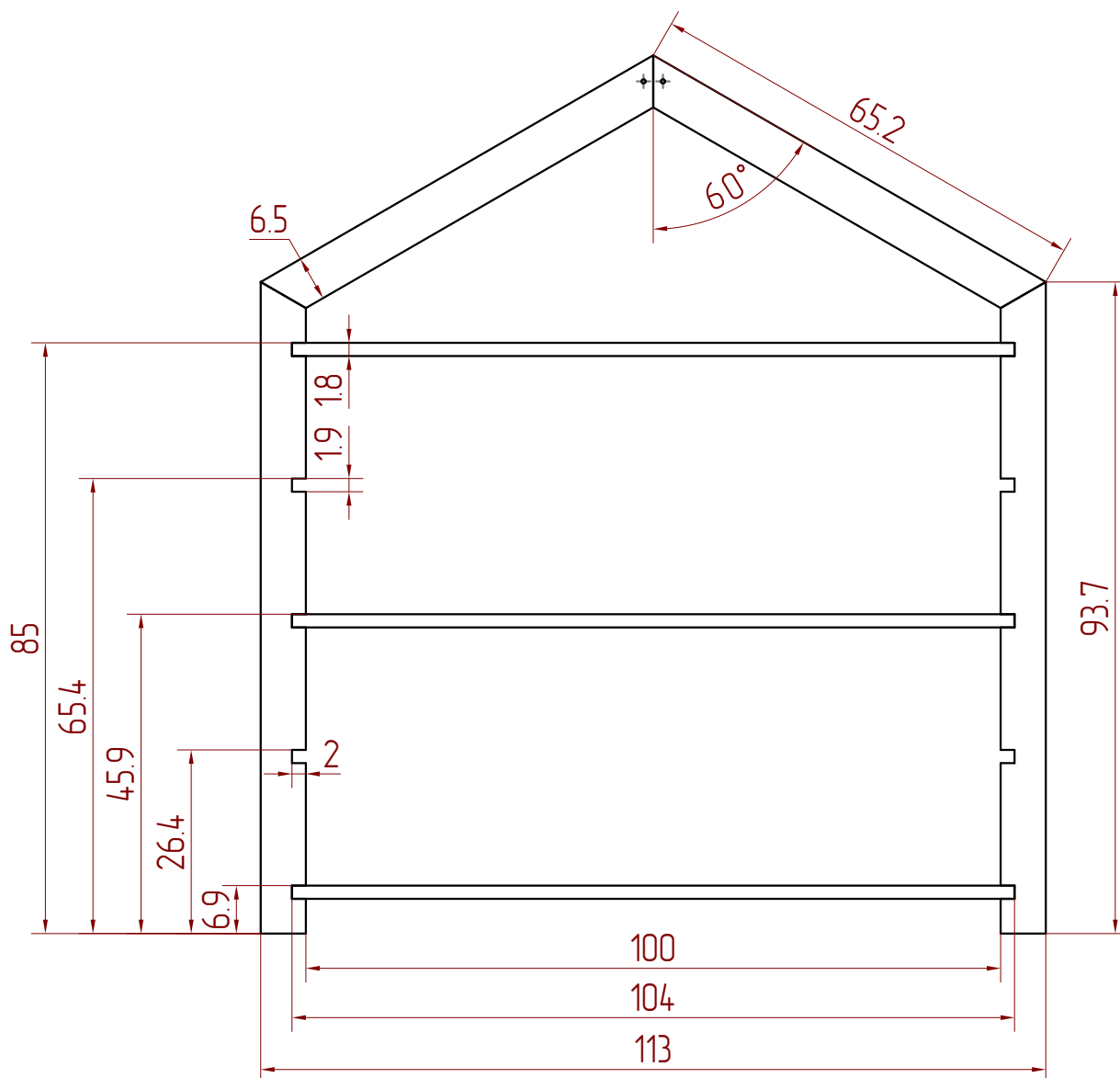


RevNo	Revision note	Date	Signature	Checked
-------	---------------	------	-----------	---------



* wymiary są wyrażone w centymetrach
 * dimensions are expressed in centimeters

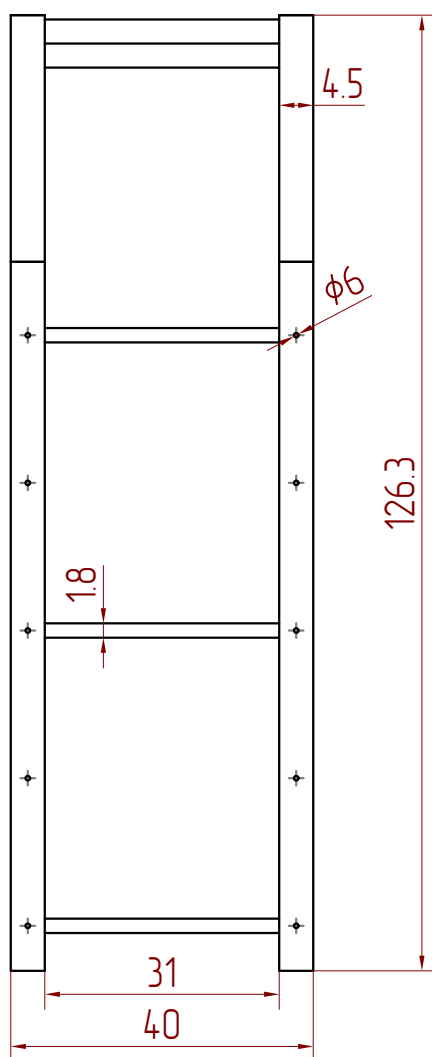


Itemref	Quantity	Title/Name, designation, material, dimension etc			Article No./Reference	
Designed by D. Markiewka		Checked by Ł. Kocur	Approved by - date	File name	Date	Scale 1:1
Model: RG 40x100				Rysunek techniczny		

RevNo	Revision note	Date	Signature	Checked
-------	---------------	------	-----------	---------



* wymiary są wyrażone w centymetrach
 * dimensions are expressed in centimeters



Itemref	Quantity	Title/Name, designation, material, dimension etc			Article No./Reference	
Designed by D. Markiewka		Checked by Ł. Kocur	Approved by - date	File name	Date	Scale 1:1
Model: RG 40x100				Rysunek techniczny		